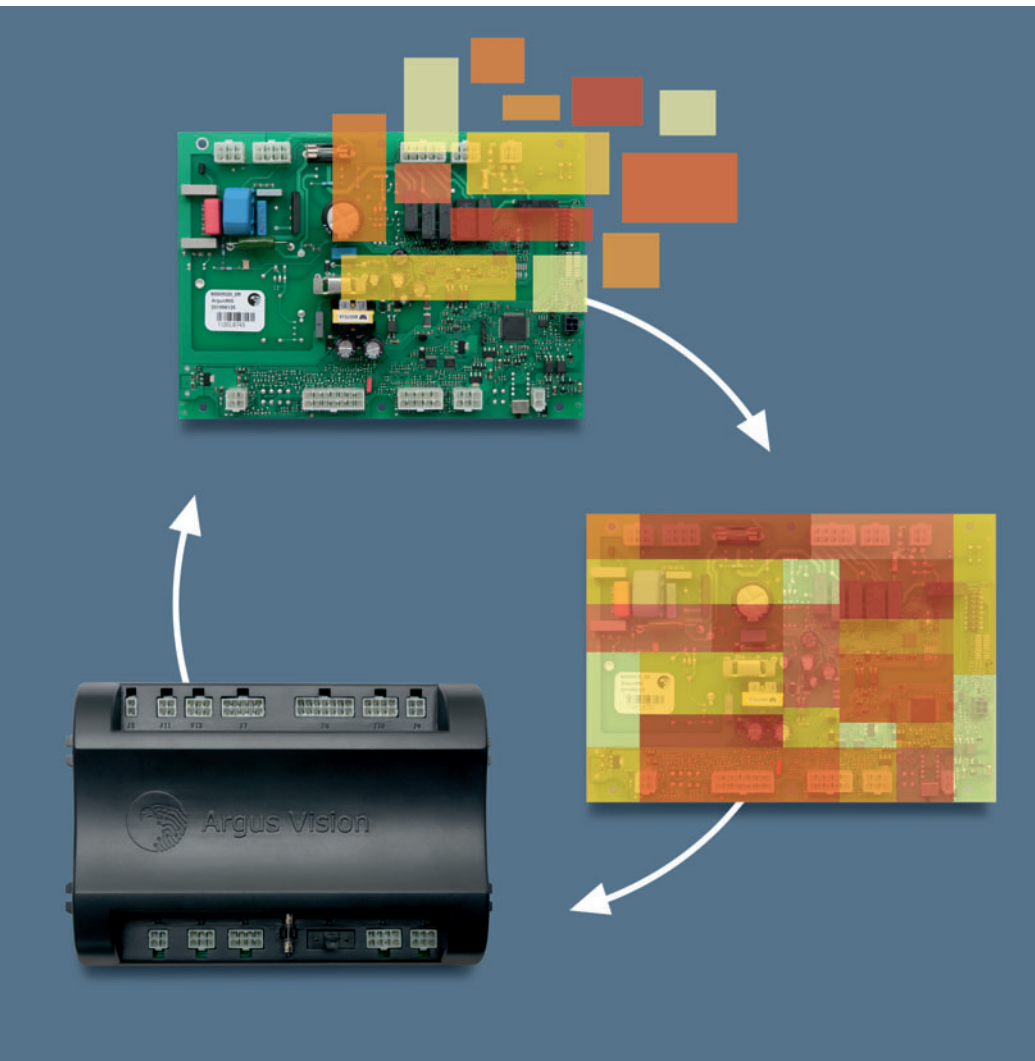


The 900 platform



The new modularity of boiler controls



Efficient, flexible, intelligent: The Argus Vision 900 platform

Modern gas-fired and hybrid boilers are complex systems requiring innovative electronic control in order to run as smoothly, reliably and efficiently as possible. Argus Vision is known to provide turnkey solutions for state-of-the-art heating control: With over 20 years of experience, we engineer and produce digital open and closed-loop control units for domestic and industrial applications in gas-fired heating. We are proud to present our latest development combining modern hardware architecture with new software developments – for maximum flexibility and efficiency: The 900 control platform.

The strengths: Greater efficiency, more flexibility, optimum control

As a standard platform with proven hardware and software modules, the 900MN ensures quick time to market for our customers. An extensive range of functional software modules is available and the smooth combination of different control modules allows an easy integration of hybrid heating systems.

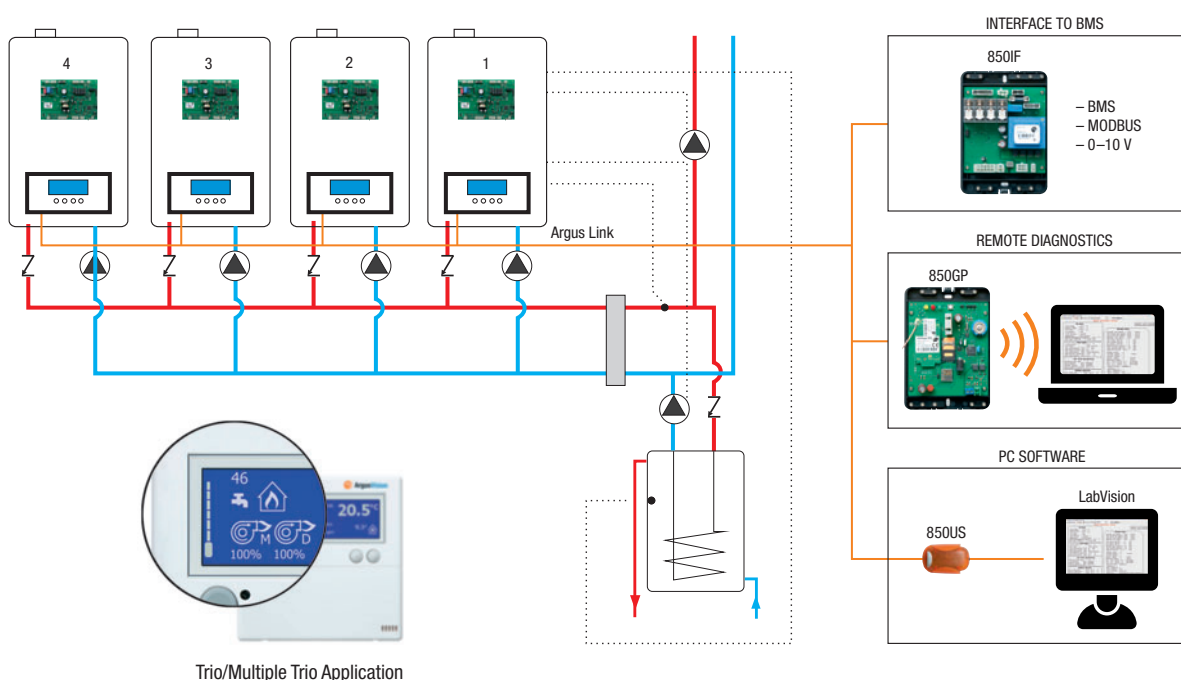
At the same time, the flexible software architecture enables us to support specific customer requirements. The hardware architecture, on the other hand, is set up with so-called building blocks, which give us great flexibility to design – in addition to the standard boards – also quick and reliable customized versions. In terms of maximum efficiency, the 900 platform also sets new standards: Low standby power and class A modulating pump control significantly minimize energy consumption.

The application: Setting new standards

The 900 boiler control is available in two configurations: The 900MN for boilers with a pneumatic gas-air system and the 900LC for full-gas adaptive boilers with the intelligent LambdaConstant system. It offers several thermostat options to meet the requirements in different markets. Furthermore, the platform includes standard advanced control functions for central heating, DHW and cascade operation, so there is no more need for additional controllers. As a further standard feature, multiple burner applications such as the trio and the multiple trio are supported.

All control modules are conveniently connected with each other via our two-wire communication interface Argus Link and can be configured with ready-to-use PC software. An additional module is available to be integrated with all common building management systems. The platform's independence from the mains supply ensures the reliable operation of the building's heating system. When it comes to the user interfaces, it is possible to choose freely between several internal and external options according to individual demands – from basic on-board LED user interface, to pixel LCD up to remote diagnostics via the internet. Discover the possibilities of the 900 now.

System at work



The modules

The advantages at a glance:

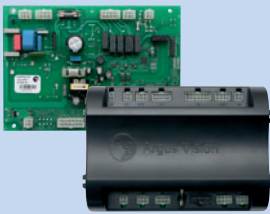
- Standard platform with proven hardware and software modules
- Flexible modularity for hardware and software
- Allows possibility of customization
- Flexible user interfaces from simple LCD display to high pixel modules
- Easy update functions for on-site appliances
- Remote monitoring support

Boiler Controls



1 900MN Burner Control

- Automatic control unit for gas-fired appliances with a premix burner and a pneumatic gas-air system
- Applicable for both domestic and commercial boiler systems
- Includes as standard many functions for central heating, dhw, cascade operation, multiple burners (trio)
- LabVision PC software for flexible hardware and software configuration, parameter settings and logging



2 900LC LambdaConstant Burner Control

- Automatic control unit for full-gas adaptive heating appliances using the LambdaConstant electronic gas-air system
- Drop in replacement for 900MN control: same dimensions, functions and connections
- Standard version includes with many functions for central heating dhw, cascade, multiple burners (trio)
- LabVision PC software for flexible hardware and software configuration, parameter settings and logging

User Interfaces



900PX

900PB

3 900PX/900PB LCD Pixel Display

- High-end user interface with graphical blue/white 255x80 pixel LCD with backlight
- Available with housing or as built-in version with pushbuttons



900LD

900LB

4 900LD/900LB LCD Display

- Mid-range user interface with blue/white LCD
- Available with housing or as built-in version with pushbuttons



900DI

5 900DI Small LCD Display

- Low-end user interface with LCD
- Available as built-in version with pushbuttons

Argus Vision BV

Van Veldekekade 360
5216 KT 's-Hertogenbosch
The Netherlands
Phone +31 73 64 88 900
Fax +31 73 64 88 911
info@argusvision.nl

www.ebmpapst.com



ArgusVision